

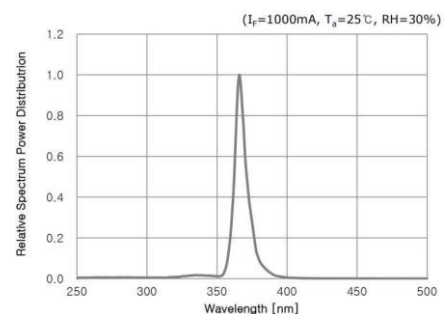
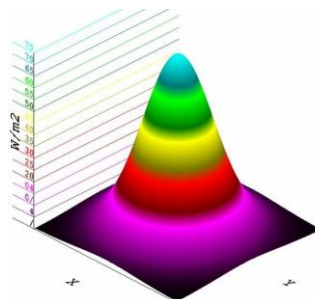
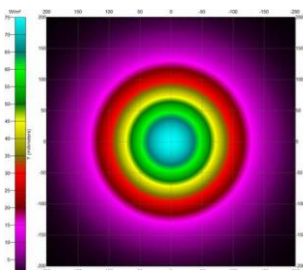
## AJR UV-LED 4000+ / 6000+ / 8000+ / 10000+ Hand Held Rechargeable UV LED Lamp

### Characteristics

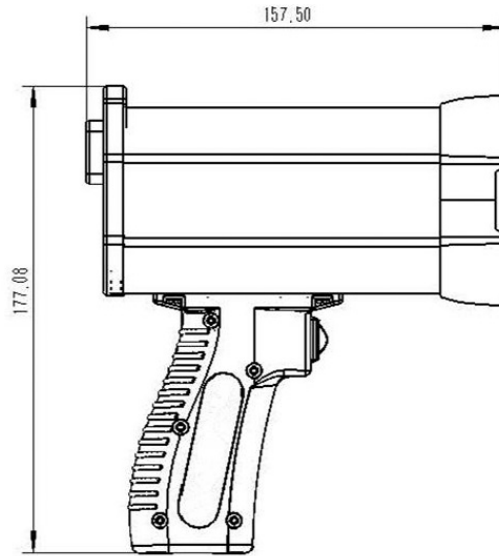
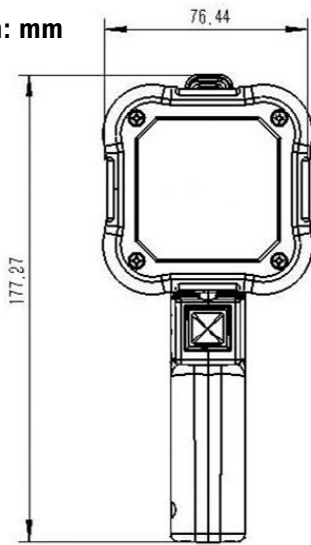
- Power energy - energy saving of only 9VA
- The average service life of the light source 30000h!
- The content of UV-B is 0.
- 3-4 hours of battery life.
- Quick replacement battery
- Including the weight of the battery less than 500 g.
- External without wiring
- Quartz and optical glass module, non PMMA material, excellent weather resistance.
- Continuous working outside surface temperature  $< 5K(5^{\circ}C)$
- Cleanroom computable



### UV irradiation distribution map (380mm)



Dimension: mm



### Parameters

Project	Parameter
Form	Handheld type
UV(Light)-FLUX Room temperature 25°C 380mm calibration	UV-LED4000+: > 4000uW/cm <sup>2</sup> UV-LED6000+: > 6000uW/cm <sup>2</sup> ; White Light: MAX1500LUX UV-LED8000+: > 8000uW/cm <sup>2</sup> ; White Light: MAX1500LUX UV-LED10000+: > 10000uW/cm <sup>2</sup> ; Light-MAX1500LUX
Effective coverage area 380mm calibration	Diameter of about 200mm
Wavelength	Room temperature 25°C 365nm±3nm (UVA)
FLUX Error	0-40°C ±10%
Light distribution characteristic	The light distribution center
Power source	AC100-240V 50/60Hz
Power	UV LED-9VA Light-3VA
Overall dimensions	137mm (W) *72mm (D) *176mm (H)
Weight	498g
The charging time	3-4H
Battery capacity	2200mA/H 12.6V
Battery life (total time)	UV LED 3-4H or Light 7H

Note: The above parameters are typical value. Parameters are subject to change without prior notice !